

PRODUCT INFORMATION PACKET

Model No: 5K39SNB505S

Catalog No: K1402

1 HP Condenser Fans HVAC/R Motor, 3 phase, 1200 RPM, 200-230/460 V, 48Z Frame, OPEN
Condenser Fans Motors



Nameplate Specifications

Output HP	1 Hp	Output KW	0.75 kW
Frequency	60 Hz	Voltage	200-230/460 V
Current	4.4-4.0,2.0 A	Speed	1140 rpm
Service Factor	1	Phase	3
Efficiency	70 %	Power Factor	0
Duty	Continuous	Insulation Class	B
KVA Code	L	Frame	48Z
Enclosure	Open Enclosed	Thermal Protection	AUTO
Ambient Temperature	65 °C	Drive End Bearing Size	6203
Opp Drive End Bearing Size	6203	UL	Recognized
CSA	Yes	CE	N

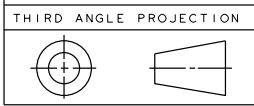
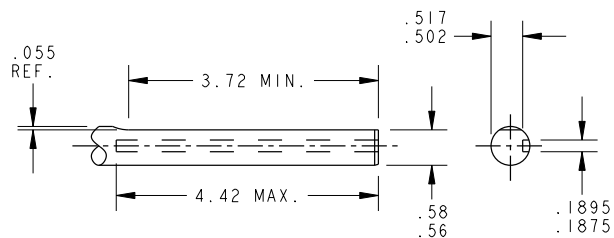
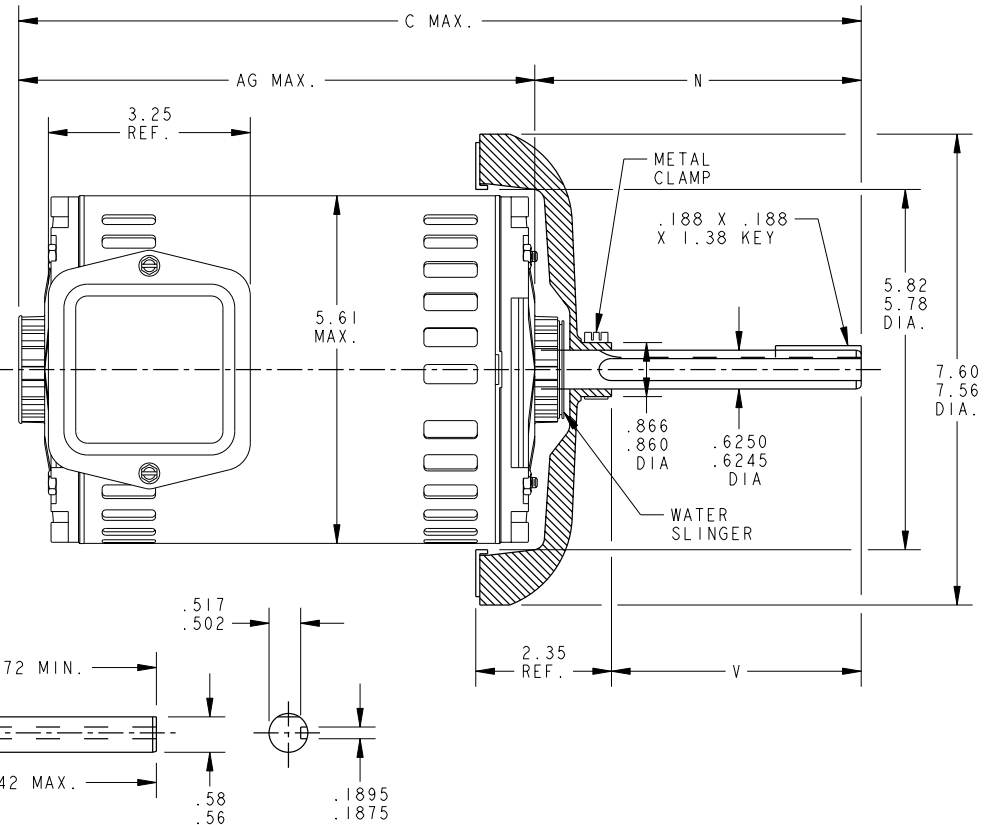
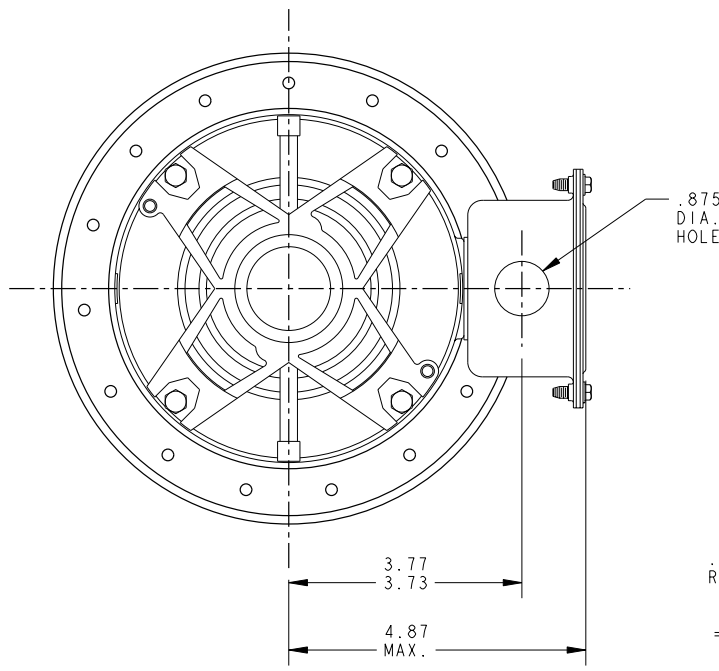
Technical Specifications

Electrical Type	Three Phase	Starting Method	N/R
Poles	6	Rotation	Clockwise/Counterclockwise
Mounting	Round	Motor Orientation	ANY
Drive End Bearing	BALL	Opp Drive End Bearing	Ball
Frame Material	Rolled Steel	Overall Length	16.05 in
Frame Length	8.5 in	Shaft Diameter	0.630 in
Shaft Extension	5.75 in	Thru-bolts Extension	0 in
Connection Drawing	113A423	Outline Drawing	52B211506P1

This is an uncontrolled document once printed or downloaded and is subject to change without notice. Date Created:03/11/2020

RBC PROPRIETARY AND CONFIDENTIAL INFORMATION
 This document is the property of REGAL BELOIT CORPORATION ("RBC") including its subsidiaries and divisions and contains proprietary information of RBC. This document is loaned on the express condition that neither it nor the information contained herein shall be disclosed to others without the express written consent of RBC, and that the information shall be used by the recipient only as approved expressly by RBC. This document shall be returned to RBC upon its request. This document may be subject to certain restrictions under U.S. export control laws and regulations.

REVISIONS			
REV.	DESCRIPTION	DATE	APPROVED
I	UPDATED FORMAT	11/02/05	MAM



I	K, KCP	39	48Z	16.05	5.78 5.72	10.20	4.09 4.05	8.50	
P	TYPE	GE SIZE	NEMA FR	C	N	AG	V	SHELL LGTH.	

FOR ADDITIONAL INFO REFER TO:	SIGNATURES	DATE
APPLIED PRACTICES	DURGA	06/07/04
DIMENSIONS ARE IN INCHES	MODEL	
TOLERANCE ON:	DETAIL	
1 PL DECIMALS ± 0.0	CHECKED	
2 PL DECIMALS ± 0.02	ENGRG	
3 PL DECIMALS ± 0.005	MFG	
ANGLES ± 1.0	QUALITY	
FRACTIONS ±	ISSUED	DURGA 06/07/04
FINISH		
MATERIAL	SOLID MODEL: 52B211506	

REGAL BELOIT CORPORATION

OUTLINE
FORM N - SPECIAL PURPOSE MOTOR PARTS
OPEN - BALL BEARING

SIZE DRAWING **52B211506** REV **1**

SCALE: 1.000 REF. No: SHEET 1 of 1

